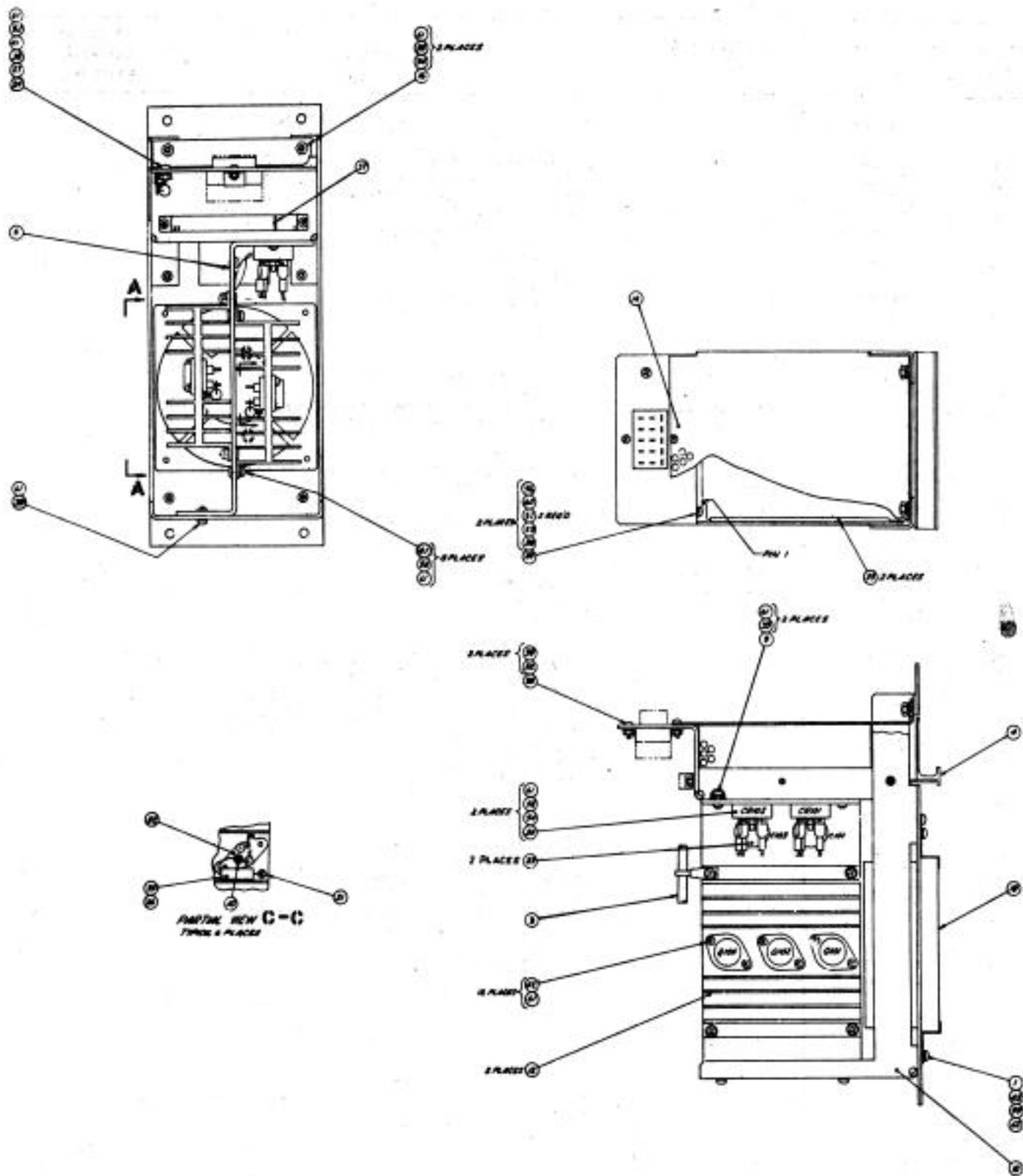


NOTES: UNLESS OTHERWISE SPECIFIED
 1. CAPACITANCE VALUES ARE IN MICROFARADS
 2. RESISTANCE VALUES ARE IN OHMS, 1/4-W, 5%
 3. HEATSINK REQUIRED.
 4. PWA NO. IS 4050771-03, ARTWORK ISSUE LETTER IS 'J'.

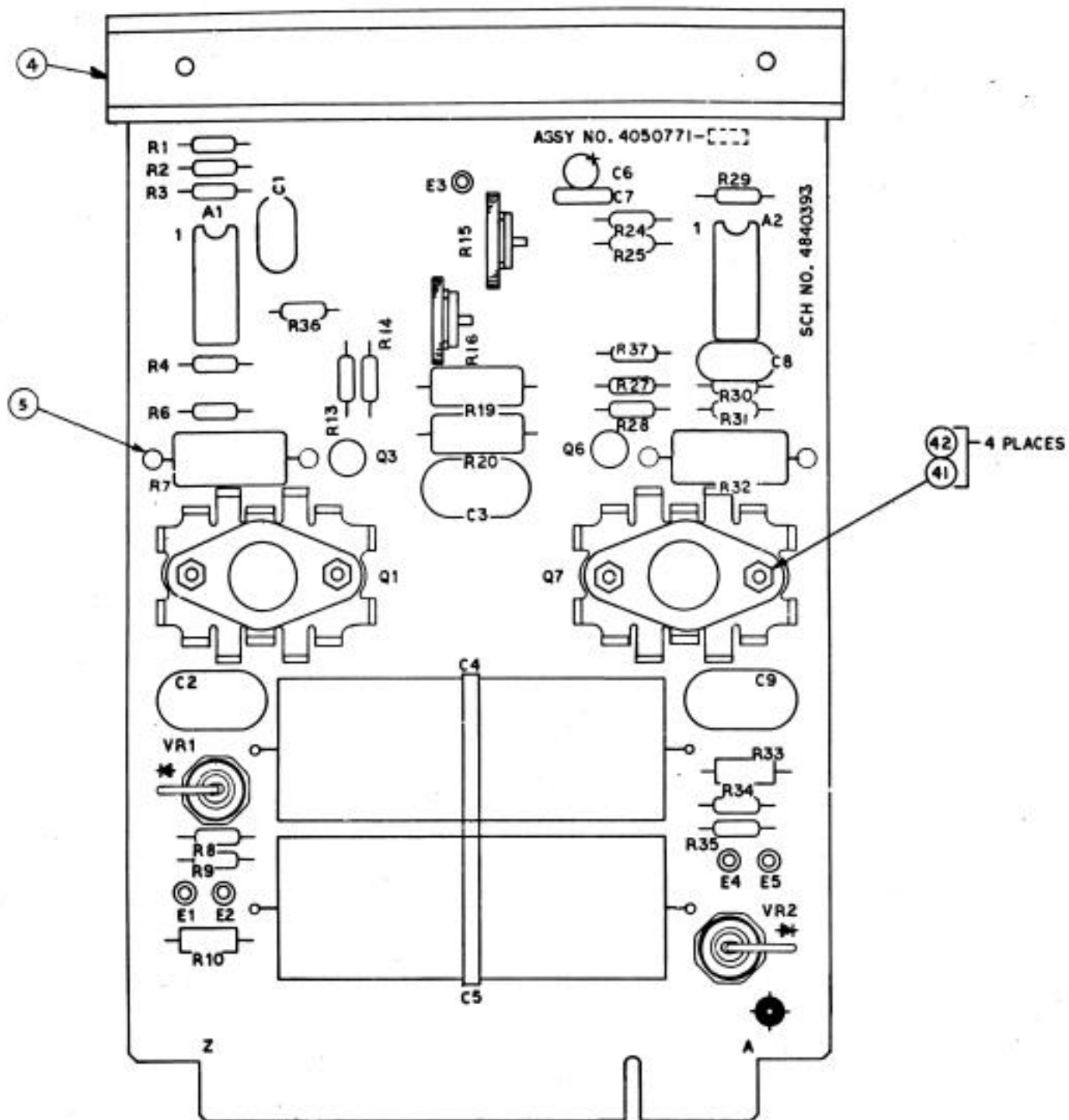
FIELD SERVICE SUBSTITUTION		REFERENCE DESIGNATION	
AMPEX P/N	NEAREST COMM'L EQUIVALENT	LAST USED	NOT USED
014-383	2N2484	R37	R5,11,2,7,18,21-23
014-882	MP53688A	C9	R26
580-729	2N5239	Q7	Q2,4,5
580-268	UA741(UA741A)	Q1	
		Q2	
		VR2	
		A2	

Schematic No. 4840393F.
 Motor Drive Amplifier Assembly



Assembly No. 4020392. Motor Drive Amplifier Assembly

ITEM NO.	AMPEX PART NO.	REFERENCE NUMBER	DESCRIPTION	JEDEC NO. OR MFR. PART NO.
	4020392-02		MOTOR DRIVE AMPLIFIER ASSEMBLY (NHA 4010240)	
1	4030354-01		MOTOR DRIVE AMPLIFIER FAN ASSEMBLY	
3	4050768-01		MOTOR DRIVE AMPLIFIER HARNESS ASSEMBLY	
4	4050771-03		MOTOR DRIVE AMPLIFIER PWA	
6	4260457-02		SUPPORT, CHASSIS	
9	4260459-02		BRACKET, CONNECTOR	
10	4290728-02		CHASSIS	
12	4290796-01		HEATSINK	
14	4290831-02		COVER, MDA ASSEMBLY	
16	4330334-01		PLATE, INTERCONNECT	
19	1374158-01		FILTER	
22	014-814	Q103,104	TRANSISTOR	2N3715
23	030-300	C101,103	CAPACITOR, CER, 0.1 UF, 500V	
24	064-418	C102	CAPACITOR, CER, 0.1 UF, 100V	
25	043-856	R101,102,105,106	RESISTOR, WW, POWER, 1 OHM, 5W, 3%	
26	043-806	R103,104	RESISTOR, WW, POWER, 0.5 OHM, 5W, 5%	
27	043-968	R107	RESISTOR, WW, POWER, 0.25 OHM, 5W, 3%	
28	147-007	J101	CONNECTOR, MALE, CHASSIS MTG, 15 PIN	
29	139-413	J102	CONNECTOR, 22 PIN	
30	180-067	TB1	TERMINAL STRIP, 4 LUG	
31	173-701	E1-6	TERMINAL, FEED THRU	
32	580-510		SOCKET, TRANSISTOR, T0-3	
33	580-729	Q101,102,105,106	TRANSISTOR	2N5239
34	581-647	CR101,102	DIODE	SDA103-3
35	530-343		GUIDE, CARD	
37	169-818		KEY, POLARIZING, REF: J102	
38	471-065		SCREW, PAN HD, XREC, NO. 4-40 X 0.62 LG	
39	471-069		SCREW, PAN HD, XREC, NO. 6-32 X 0.38 LG	
40	471-060		SCREW, PAN HD, XREC, NO. 4-40 X 0.25 LG	
41	471-070		SCREW, PAN HD, XREC, NO. 6-32 X 0.44 LG	
42	471-072		SCREW, PAN HD, XREC, NO. 6-32 X 0.62 LG	
43	471-120		SCREW, PAN HD, XREC, CRES, NO. 6-32 X 0.44 LG	
48	302-525		STRAP, CABLE	
52	496-006		NUT, KEP, NO. 6-32	
53	492-008		NUT, PLAIN, HEX, NO. 4	
54	492-009		NUT, PLAIN, HEX, NO. 6	
56	501-169		WASHER, PLAIN, SM PATTERN, NO. 4	
57	501-008		WASHER, PLAIN, NO. 4	
58	501-009		WASHER, PLAIN, NO. 6	
59	501-015		WASHER, PLAIN, CRES, NO. 6	
60	502-002		WASHER, LOCK, SPRING, NO. 4	
61	502-003		WASHER, LOCK, SPRING, NO. 6	
62	502-031		WASHER, LOCK, INT, CRES, NO. 6	
65	580-445		INSULATOR, MICA	
81	4840393		SCHEMATIC	



Assembly No. 4050771. Motor Drive Amplifier PWA

ITEM NO.	AMPEX PART NO.	REFERENCE NUMBER	DESCRIPTION	JEDEC NO. OR MFR. PART NO.
	4060771-03		MOTOR DRIVE AMPLIFIER PWA (NHA 4020392)	
4	4120025-01		HANDLE, PWB	
5	103307-01		STANDOFF, REF: R7,32	
8	013-828	VR1,2	DIODE	1N30158
9	014-383	Q3,6	TRANSISTOR	2N2484
11	580-742		HEATSINK, REF: Q1,7	
12	037-895	C6	CAPACITOR, TANT, 3.3 UF, 35V, 20%	
13	064-434	C2,3,9	CAPACITOR, FIXED, CER, 5000 PF, 1KV	
14	069-048	C4,5	CAPACITOR, POLYFOIL, 1.0 UF, 400V, 10%	
16	064-116	C7	CAPACITOR, CER, DISC, 0.01 UF, 50V, +80%-20%	
18	041-336	R10,33	RESISTOR, COMP, 470 OHM, 1/2W, 5%	
19	041-393	R4,30	RESISTOR, COMP, 1M, 1/4W, 5%	
20	041-394	R13,31	RESISTOR, COMP, 100K, 1/4W, 5%	
21	041-406	R6,27	RESISTOR, COMP, 22K, 1/4W, 5%	
22	058-202	R15,16	RESISTOR, VAR, CAR, 50K, 1/4W, 30%	
27	041-549	R3,29	RESISTOR, COMP, 13K, 1/4W, 5%	
28	041-612	R8,9,14,28,34,35	RESISTOR, COMP, 30K, 1/4W, 5%	
29	041-984	R7,32	RESISTOR, COMP, 15K, 2W, 5%	
30	062-997	R1,25	RESISTOR, MF, 18.2K, 1/8W, 1%	
33	280-921		SPACER, UNTHREADED, 0.375 OD X 0.194 ID X 0.250 LG	
34	580-219	Q1,7	TRANSISTOR	2N4240
35	586-268	A1,2	INTEGRATED CIRCUIT	UA741
36	041-465	R19,20	RESISTOR, COMP, 680 OHM, 1W, 5%	
37	076-065	R2,24	RESISTOR, MF, 22.1K, 1/8W, 1%	
38	302-388		STRAP, CABLE	
41	471-069		SCREW, PAN HD, XREC, NO. 6-32 X 3/8 LG	
42	496-005		NUT, KEP, NO. 6-32	
46	473-324		SCREW, PAN HD, SEM, NO. 4-40 X 1/4	
47	501-008		WASHER, FLAT, NO. 4	
51	492-463		NUT, HEX, SMALL PAT, NO. 10-32	
58	035-853	C1,8	CAPACITOR, MYLAR, 0.056 UF, 50V, 5%	
59	041-415	R36,37	RESISTOR, COMP, 68K, 1/4W, 5%	
80	4840393		SCHEMATIC	

SHEET 1 OF 1